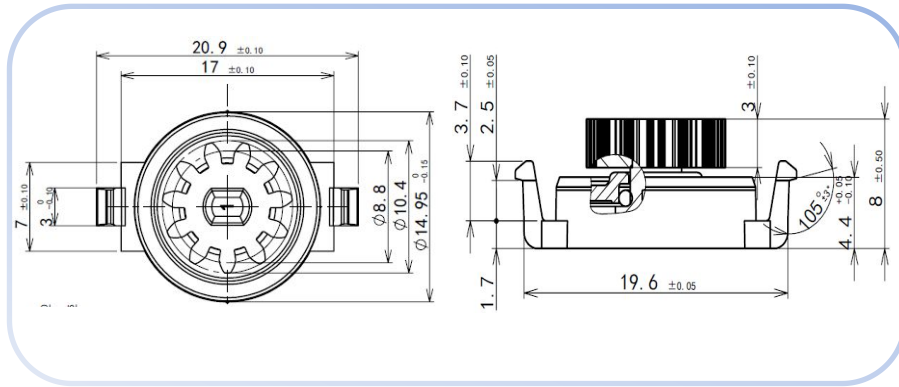
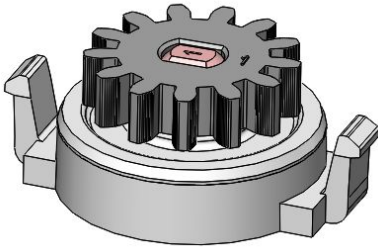
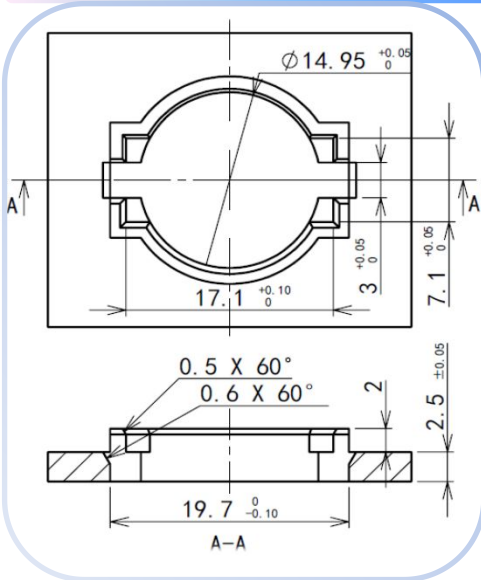


D01007 Gear Damper

Product 3D drawing and three views



Suggesting Housing



Product Specifications

Torque	0.17~2.55Ncm
Angle of rotation	Free Rotation
Material of gear	POM
Material of base	PC
Working Temperature	-40~90°C
Durability	50000 cycles
Oil	Silicon oil

Torque Information

Testing condition	Torque
20°C/ 20r/min	0.25±0.08Ncm
	0.30±0.10Ncm
	0.45±0.12Ncm
	0.60±0.17Ncm
	0.95±0.18Ncm
	1.10±0.20Ncm
	1.20±0.20Ncm
	1.50±0.25Ncm
2.20±0.35Ncm	

Gear Combination

Gear Type	
D01007	
D01008	
D01011	

Gear Information

Gear Type	D01007	D01008	D01011	D01012
Pressure Angle	20°	20°	14.5°	20°
Module	0.8	0.8	0.8	0.8
N. Teeth	11	16	13	16
Pitch circle Ø[mm]	8.8	12.8	10.4	12.8
Outside circle Ø[mm]	10.4	14.4	12	14.4
Height [mm]	3	4.5	3	3

